

PWD

Public Works
Department
Ministry of
Communications
& Works

P.O. Box 344
Montserrat
West Indies
T: (664) 491-6611
F: (664) 491-6659
E: govarch@gov.ms

PROJECT
MONTOBACCO ICT
RETROFIT

DRAWING
EXISTING PLAN

PROJECT NO.
DATE
13/10/2020
SCALE
As Shown
DRAWN BY
MCWL
CHECKED BY
DRAWING NO.
A-01
REV:

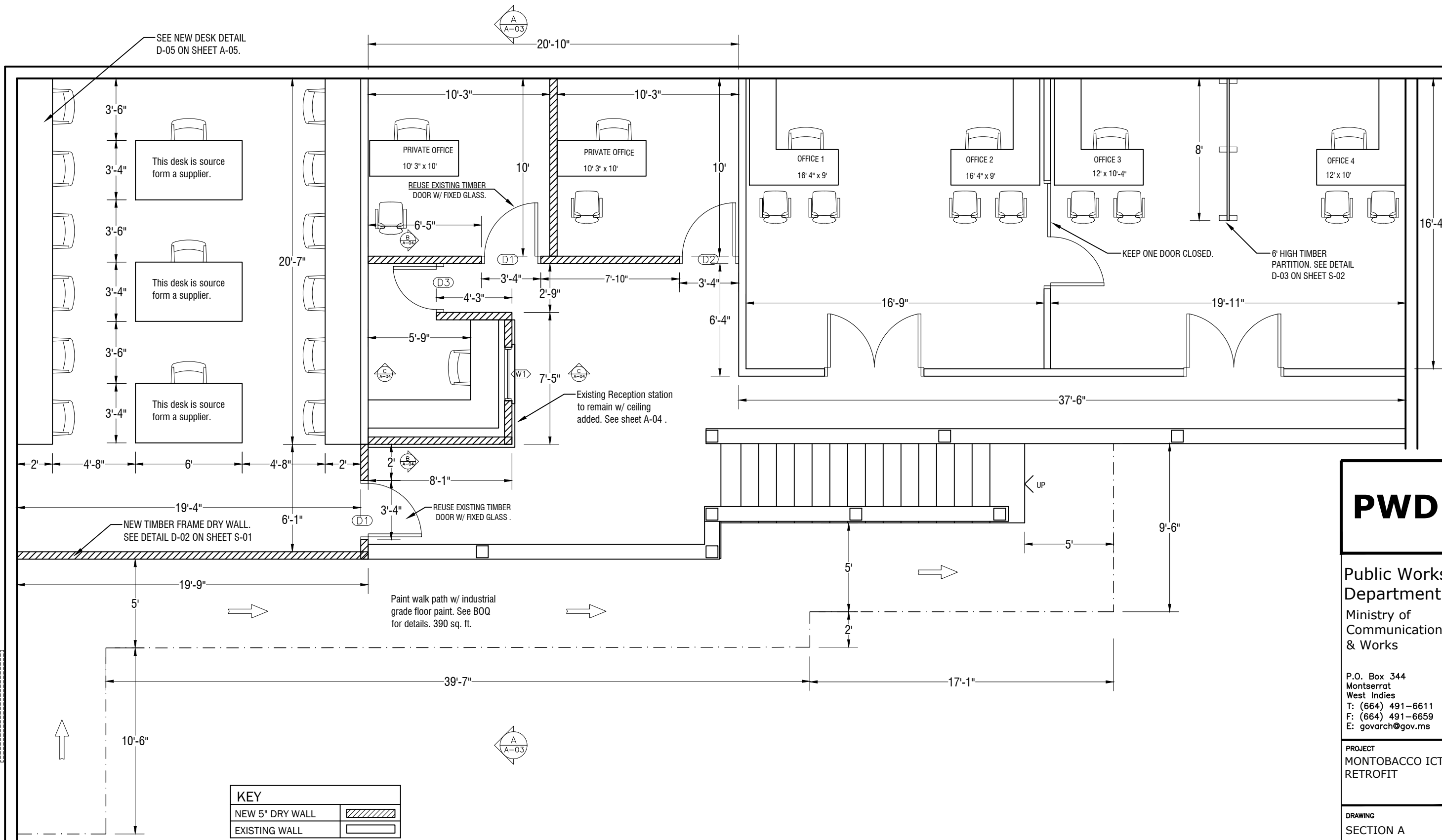
KEY	
DEMO WALLS	
EXISTING WALLS	

- NOTES
- Store existing doors after removal, see architect.
 - Demolish railing and store balusters, see architect.
 - Remove construction waste material off site as required.

A-01 EXISTING/DEMOLITION FIRST FLOOR PLAN
SCALE: 3/16" = 1'-0"

AREA = 1,860

SEE NEW DESK DETAIL
D-05 ON SHEET A-05.



KEY

NEW 5" DRY WALL	
EXISTING WALL	

DOOR/WINDOW SCHEDULE

SYM	QTY	SIZE (w x h)	TYPE
D1	2	36"x 80"	REUSE EXISTING TIMBER DOOR W/ FIXED GLASS
D2	1	36"x 80"	INTERNAL FLUSH TIMBER DOOR
D3	1	30"x 80"	INTERNAL FLUSH TIMBER DOOR
W1	1	36"x 36"	DOUBLE SLIDE WINDOW

A-01 FIRST FLOOR PLAN
SCALE: 3/16" = 1'-0"

AREA = 1,860



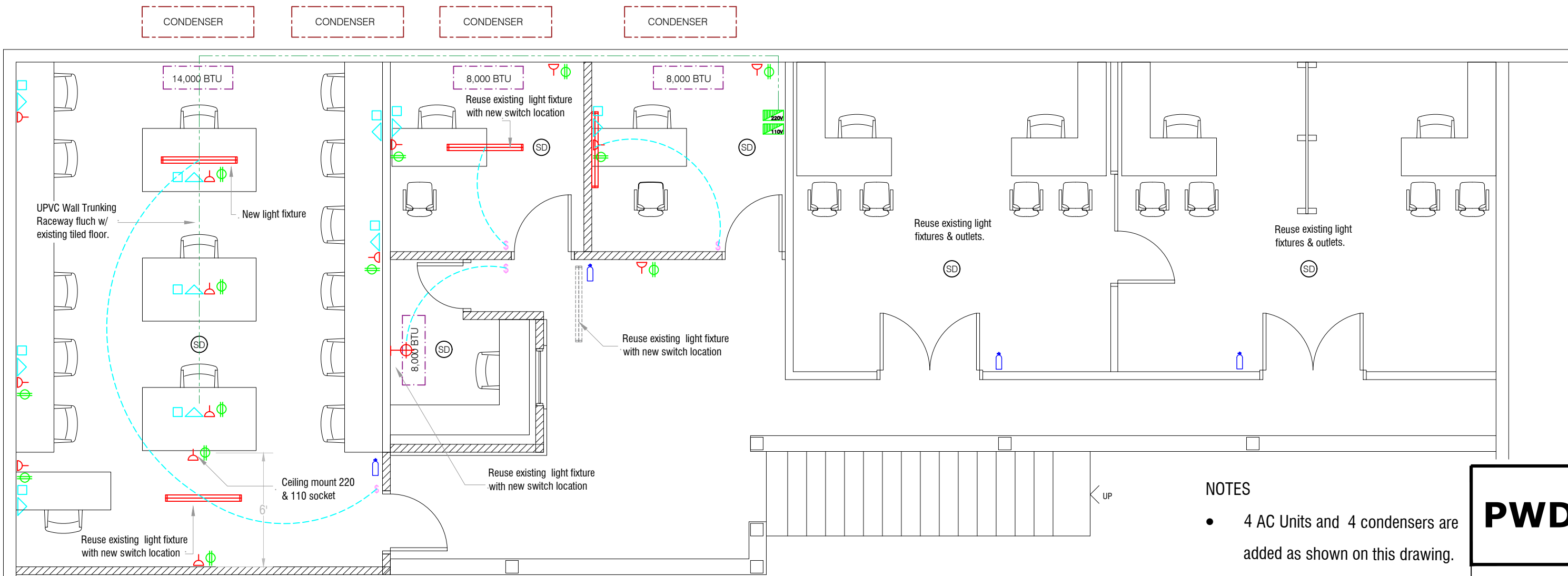
**Public Works
Department**
Ministry of
Communications
& Works

P.O. Box 344
Montserrat
West Indies
T: (664) 491-6611
F: (664) 491-6659
E: govarch@gov.ms

PROJECT
MONTOBACCO ICT
RETROFIT

DRAWING
SECTION A

PROJECT NO.
DATE
13/10/2020
SCALE
As Shown
DRAWN BY
MCWL
CHECKED BY
DRAWING NO.
A-02
REV:



- NOTES**
- 4 AC Units and 4 condensers are added as shown on this drawing.
 - 4 10lbs Common fire extinguisher added. See BOQ for details.

PANEL B CIRCUIT SCHEDULE (First Floor)						
TYPE: SPN (TYPE A) 8 WAYS SINGLE PHASE		DESCRIPTION: 110V POWER				
ISOLATOR: 100A DP		LOCATION: FIRST FLOOR				
VOLTAGE: 110 VOLTS AC		SUPPLY FROM: Panel A via 5kva transformer				
		SUPPLY CALE LENGTH & SIZE = 16mm ²				
NO. OF CIRCUIT	DESCRIPTION	NO. OF POINTS	MCB RTG. (A)	CABLE SIZE mm 2	EST. LENGTH (M)	EST. LOAD (A)
1	OUTLETS: Office	5	20	2.5		20 Amps
2	OUTLETS: Office	4	20	2.5		20 Amps
3	OUTLETS: Office	4	20	2.5		20 Amps

PANEL A CIRCUIT SCHEDULE (First Floor)						
TYPE: SPN (TYPE A) 8 WAYS SINGLE PHASE		DESCRIPTION: 240V POWER AND LIGHTING				
ISOLATOR: 100A DP		LOCATION: FIRST FLOOR				
VOLTAGE: 240 VOLTS AC		SUPPLY FROM: ELECTRICITY METER				
		SUPPLY CALE LENGTH & SIZE = 16mm ²				
NO. OF CIRCUIT	DESCRIPTION	NO. OF POINTS	MCB RTG. (A)	CABLE SIZE mm 2	EST. LENGTH (M)	EST. LOAD (A)
1	LIGHTS: House	4		1.5		10 Amps
2	220 outlets	5		2.5		10 Amps
3	220 outlets	5		2.5		10 Amps
4	220 outlets	4		2.5		10 Amps

SYMBOL	DESCRIPTION
	SINGLE POLE SWITCH 48" A.F.F
	110V OUTLET 18" A.F.F
	220V OUTLET 18" A.F.F
	4ft. FLUORESCENT FIXTURE
	WALL MOUNTED FIXTURE
	INTERNET AND TELEPHONE
	220V DISTRIBUTION PANEL
	110V DISTRIBUTION PANEL
	SMOKE DETECTOR
	FIRE EXTINGUISHER

E-01 FIRST FLOOR ELECTRICAL PLAN
SCALE: 3/16" = 1'-0"

PWD

Public Works Department
Ministry of Communications & Works

P.O. Box 344
Montserrat
West Indies
T: (664) 491-6611
F: (664) 491-6659
E: govarch@gov.ms

PROJECT
MONTOBACCO ICT RETROFIT

DRAWING
ELECTRICAL PLAN

PROJECT NO.
DATE
13/10/2020
SCALE
As Shown
DRAWN BY
MCWL
CHECKED BY
E-01
REV:

Revisions

A	MM/DD/YY	Description

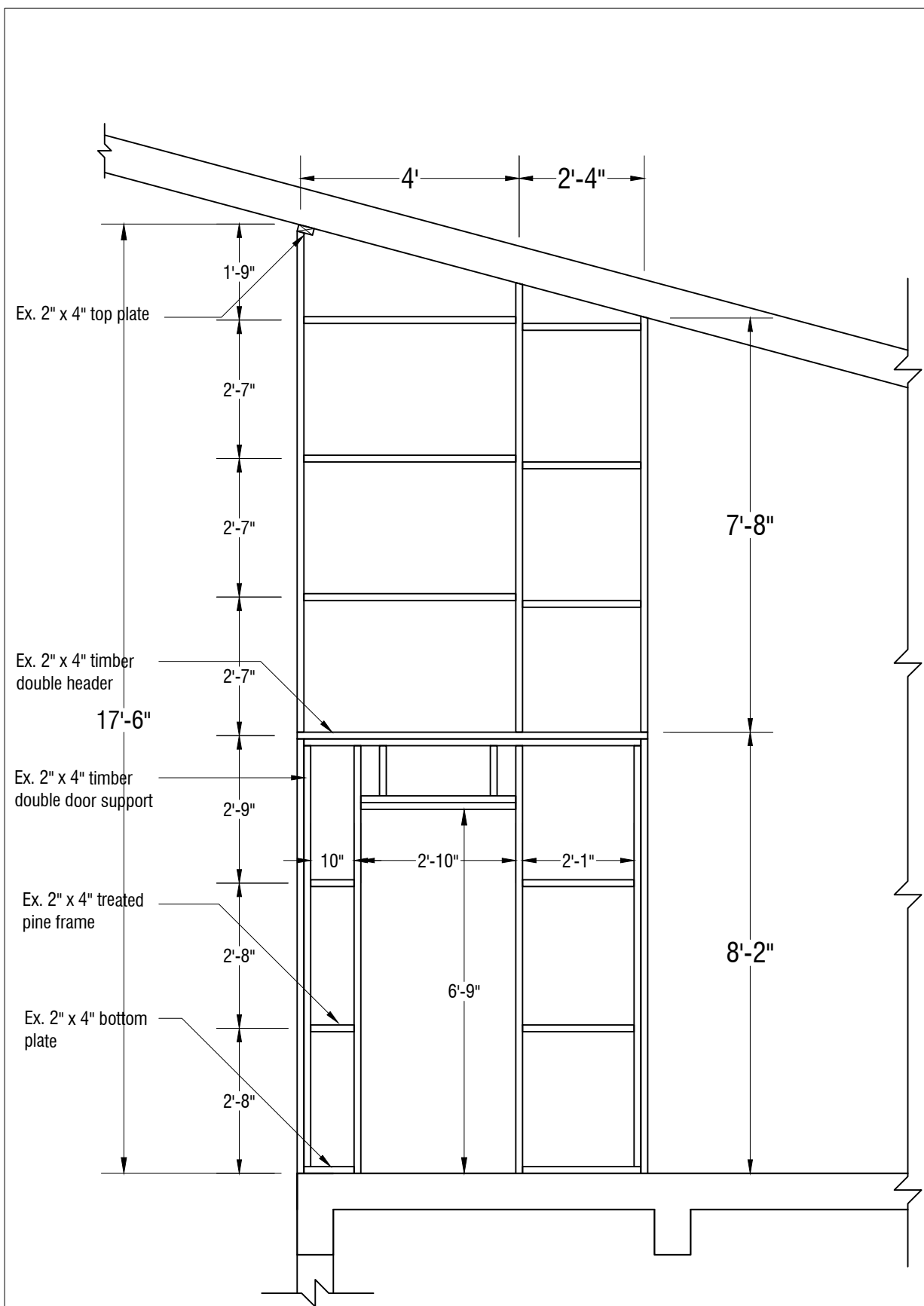
General Notes

1. This drawing is the exclusive property of The Ministry of Communications & Works for Montserrat and the reproduction in whole or in part is prohibited without prior written consent.
2. The Contractor is to check and verify all levels datum and dimensions and report any discrepancy or omission to the Architect, prior to construction.
3. Drawings are not to be scaled
4. The Architect is not responsible for dimensions of the site plan unless they are taken directly from a registered boundary survey carried out by a Licensed Land Surveyor.
5. This drawing is to be read in conjunction with Structural, Mechanical, Electrical and/or other consultant's documentation that is applicable to the project.

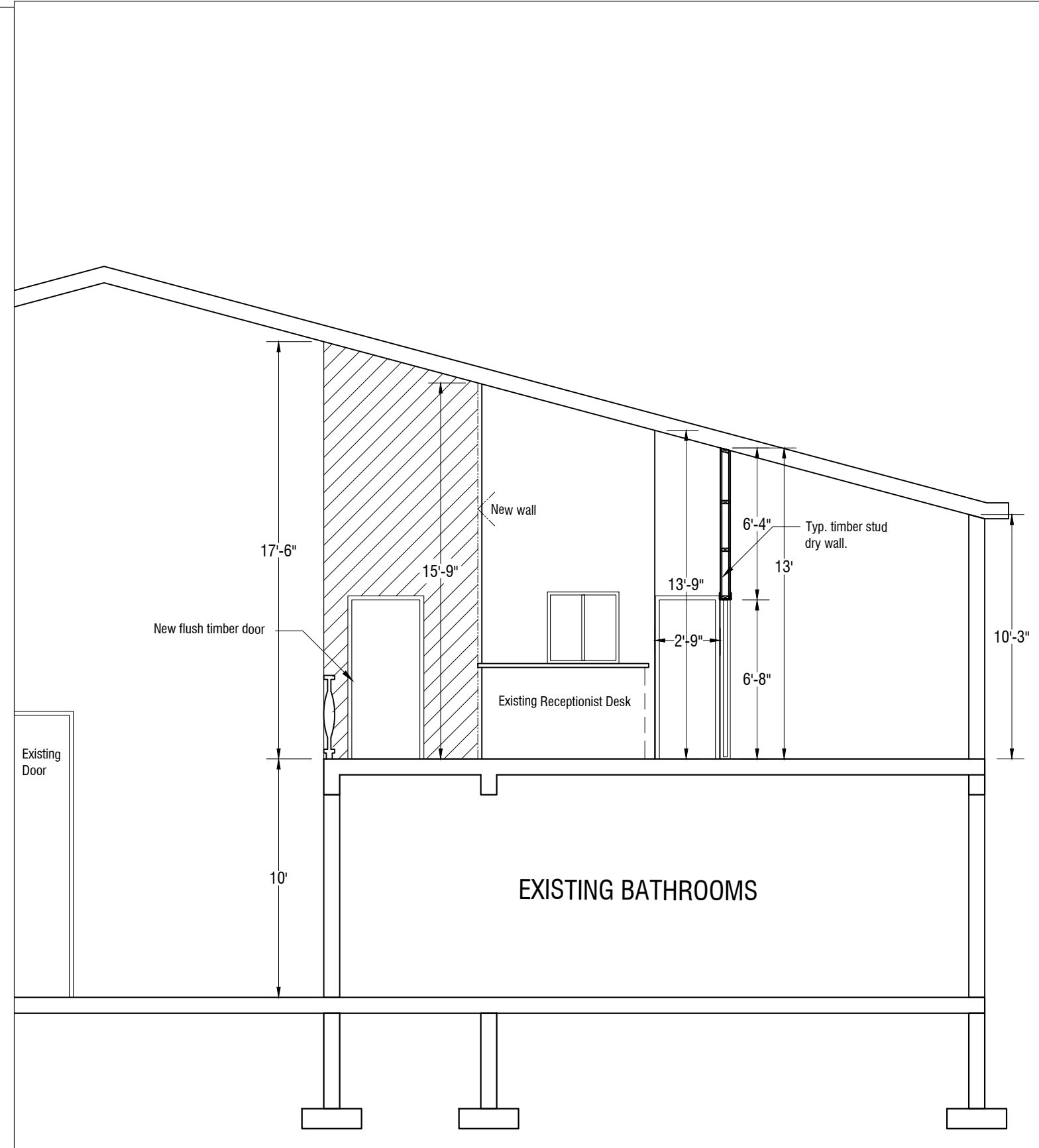
PROJECT
MONTOBACCO ICT
RETROFIT

DRAWING
SECTION A

PROJECT NO.
DATE
13/10/2020
SCALE
As Shown
DRAWN BY
MCWL
CHECKED BY
A-03
DRAWING NO.
A-03
REV:



D-1 WALL FRAMING
SCALE: 3/16" = 1'-0"



A-03 SECTION A
SCALE: 3/16" = 1'-0"

Revisions

A	MM/DD/YY	Description

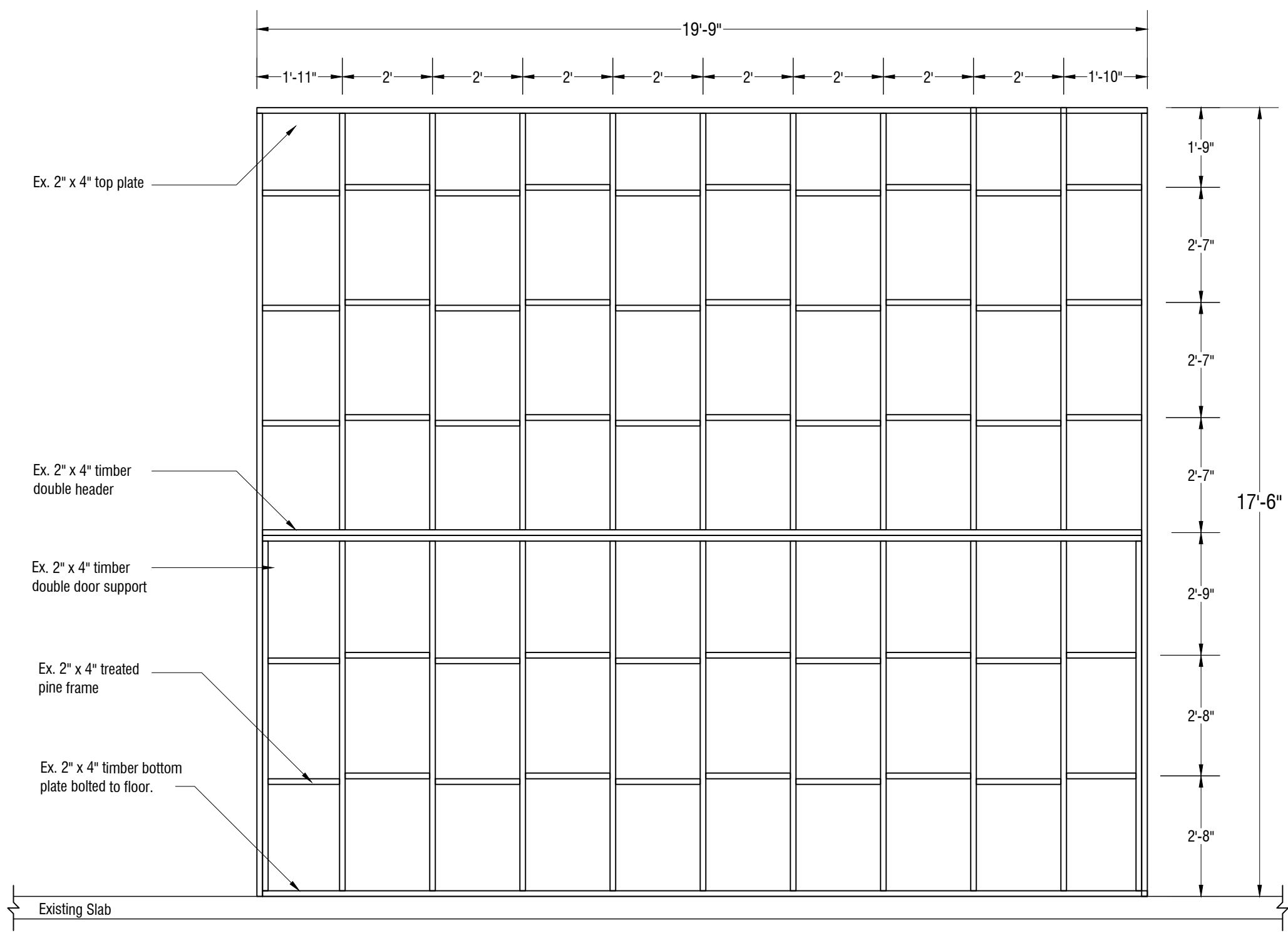
General Notes

1. This drawing is the exclusive property of the The Ministry of Communications & Works for Montserrat and the reproduction in whole or in part is prohibited without prior written consent.
2. The Contractor is to check and verify all levels datum and dimensions and report any discrepancy or omission to the Architect, prior to construction.
3. Drawings are not to be scaled
4. The Architect is not responsible for dimensions of the site plan unless they are taken directly from a registered boundary survey carried out by a Licensed Land Surveyor.
5. This drawing is to be read in conjunction with Structural, Mechanical, Electrical and/or other consultant's documentation that is applicable to the project.

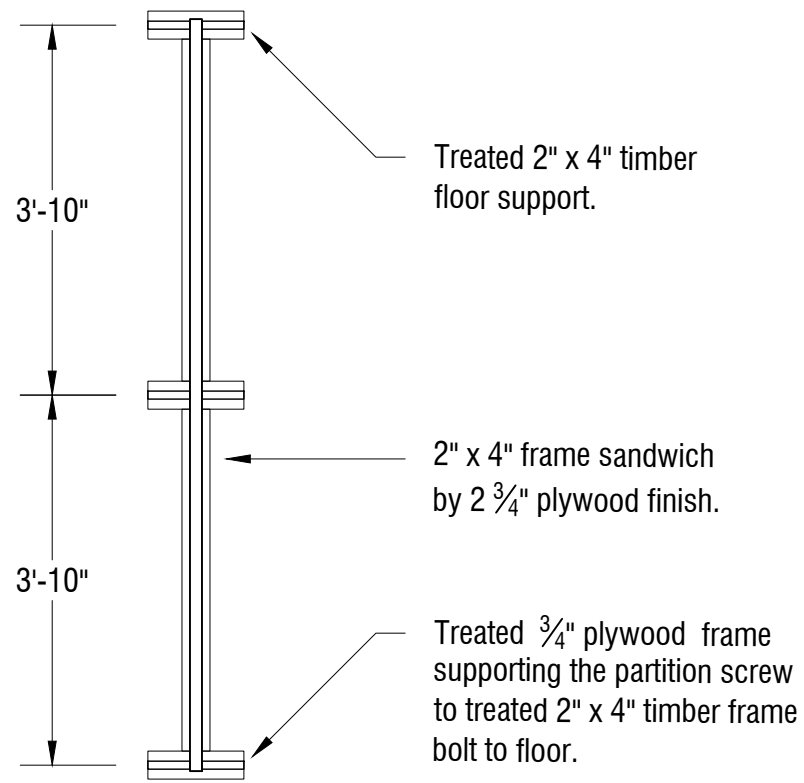
PROJECT
MONTOBACCO ICT
RETROFIT

DRAWING
WALL FRAMING

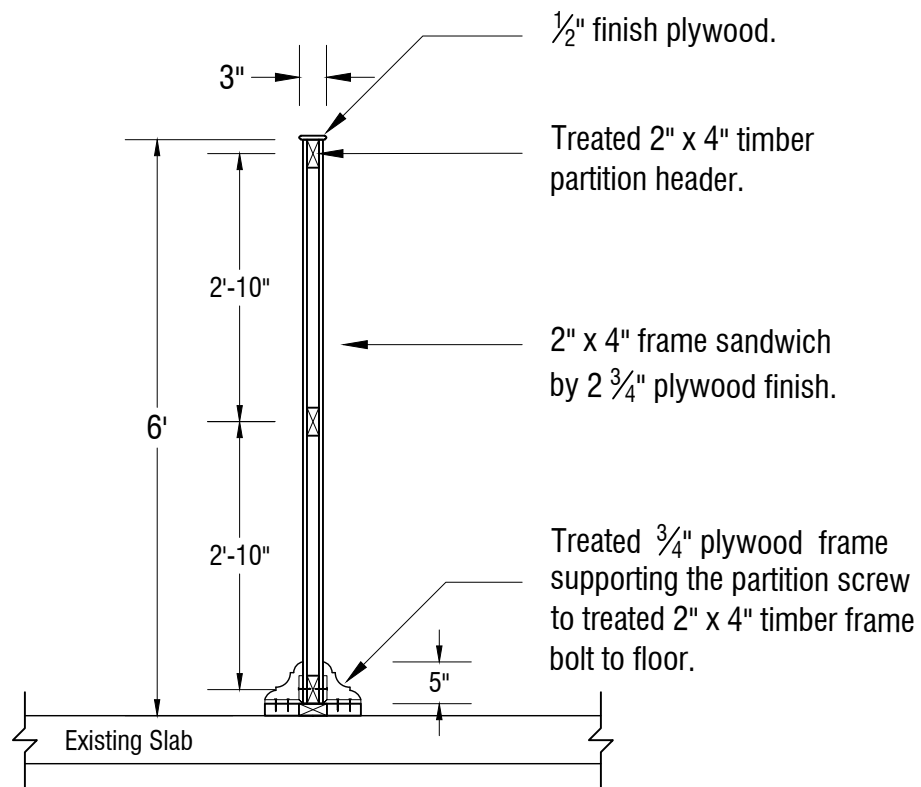
PROJECT NO.	
DATE	13/10/2020
SCALE	As Shown
DRAWN BY	MCWL
CHECKED BY	
DRAWING NO.	S-01
REV:	



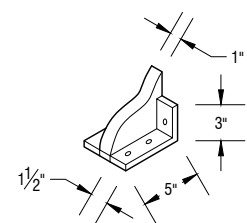
D-02 WALL FRAMING
SCALE: 3/8" = 1'-0"



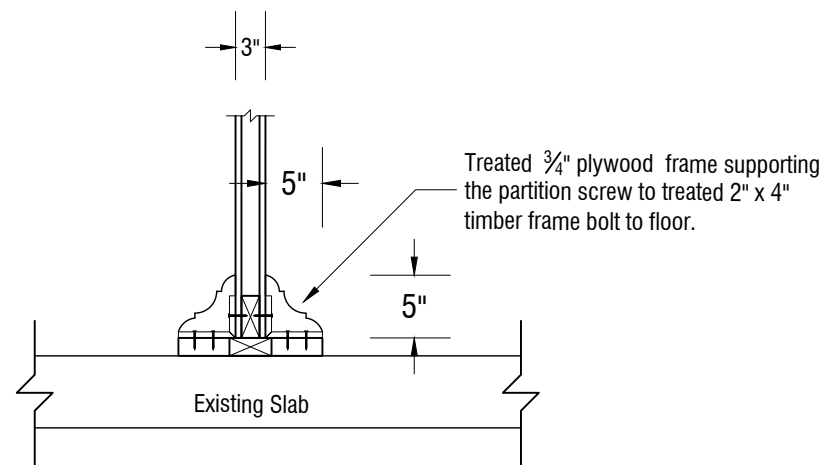
PLAN VIEW



D-03 PARTITION DETAIL
SCALE 1/2" = 1'-0"



PLYWOOD FRAME



PARTITION FLOOR CONNECTION
SCALE 3/4" = 1'-0"

PWD

Public Works
Department
Ministry of
Communications
& Works

P.O. Box 344
Montserrat
West Indies
T: (664) 491-6611
F: (664) 491-6659
E: govarch@gov.ms

Revisions

No.	Date	Description

General Notes

1. This drawing is the exclusive property of the The Ministry of Communications & Works for Montserrat and the reproduction in whole or in part is prohibited without prior written consent.
2. The Contractor is to check and verify all levels datum and dimensions and report any discrepancy or omission to the Architect, prior to construction.
3. Drawings are not to be scaled
4. The Architect is not responsible for dimensions of the site plan unless they are taken directly from a registered boundary survey carried out by a Licensed Land Surveyor.
5. This drawing is to be read in conjunction with Structural, Mechanical, Electrical and/or other consultant's documentation that is applicable to the project.

PROJECT
MONTOBACCO ICT
RETROFIT

DRAWING
PARTITION DETAIL

PROJECT NO.
DATE
13/10/2020
SCALE
As Shown
DRAWN BY
MCWL
CHECKED BY
DRAWING NO.
S-02
REV:

Revisions

A	MM/DD/YY	Description

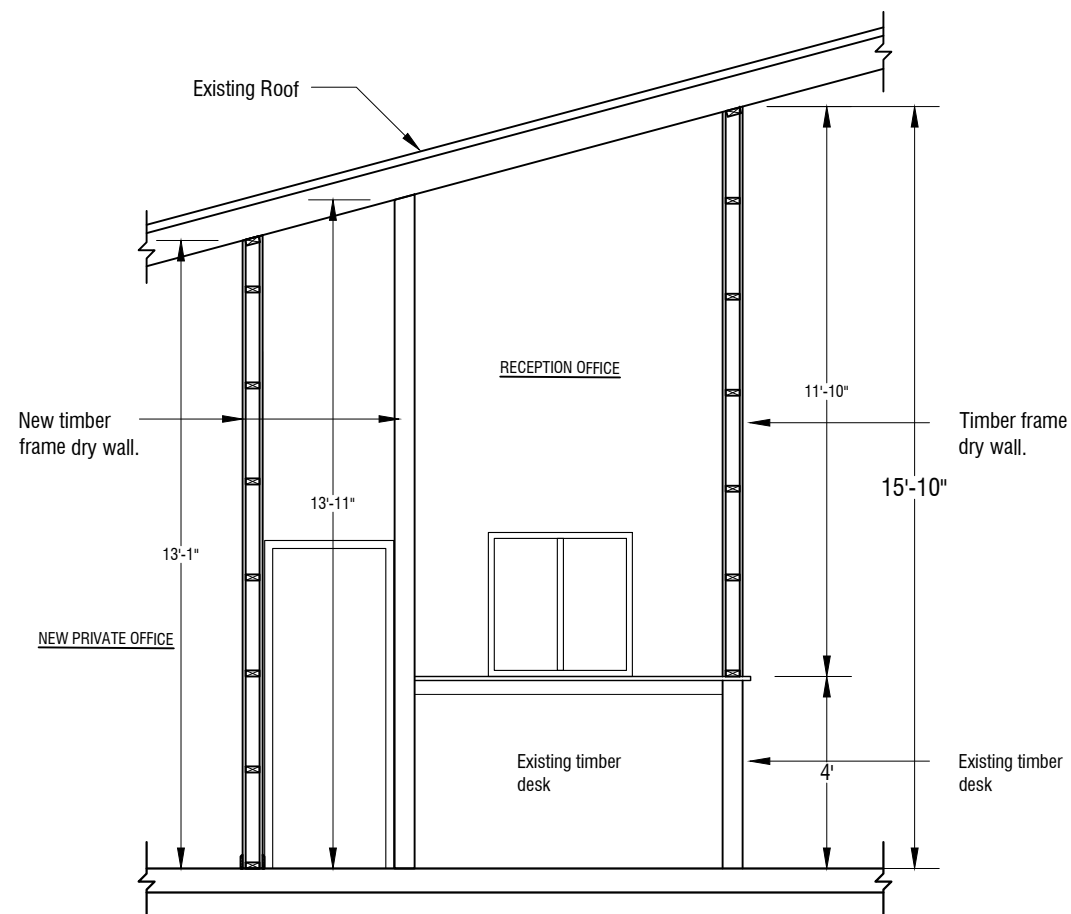
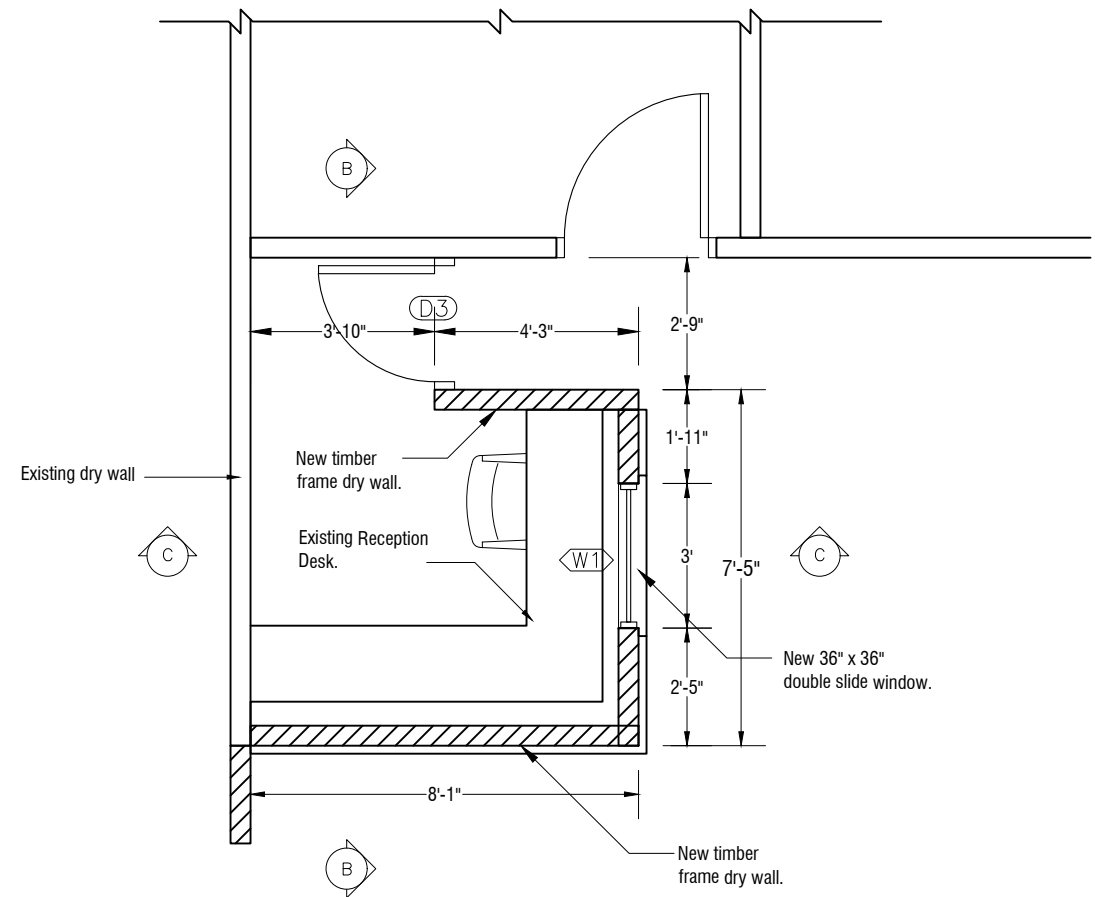
General Notes

1. This drawing is the exclusive property of the The Ministry of Communications & Works for Montserrat and the reproduction in whole or in part is prohibited without prior written consent.
2. The Contractor is to check and verify all levels datum and dimensions and report any discrepancy or omission to the Architect, prior to construction.
3. Drawings are not to be scaled
4. The Architect is not responsible for dimensions of the site plan unless they are taken directly from a registered boundary survey carried out by a Licensed Land Surveyor.
5. This drawing is to be read in conjunction with Structural, Mechanical, Electrical and/or other consultant's documentation that is applicable to the project.

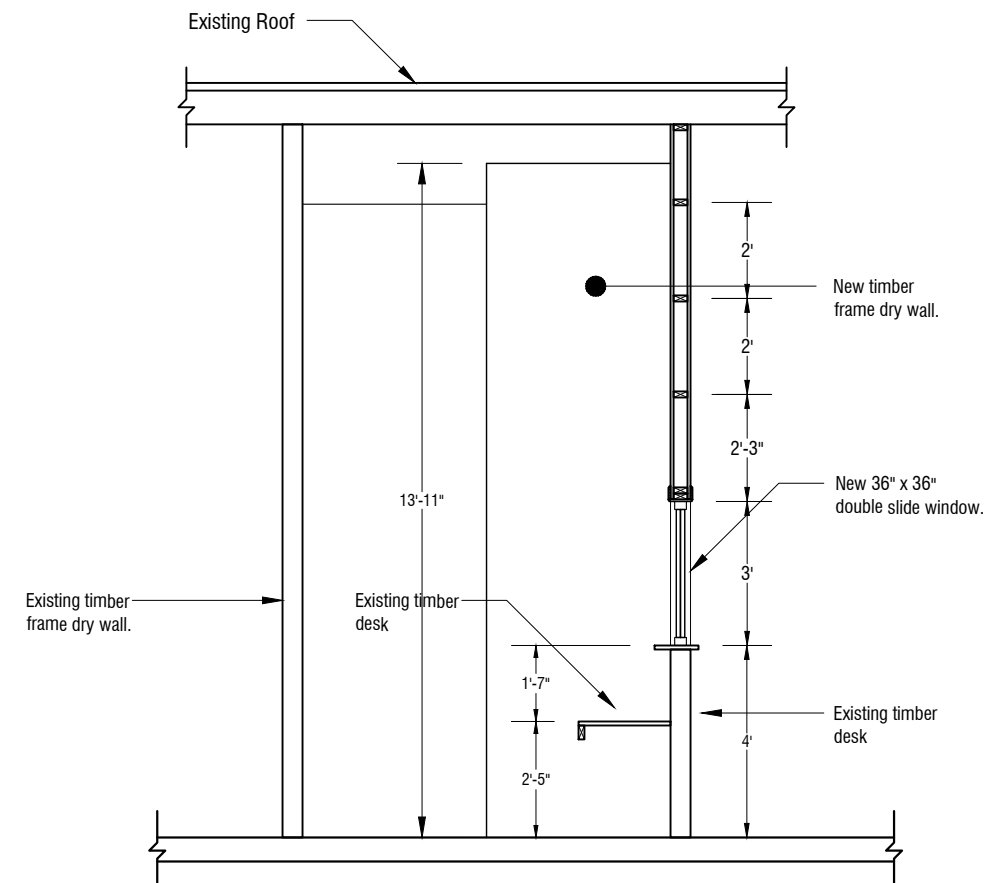
PROJECT
MONTOBACCO ICT
RETROFIT

DRAWING
RECEPTION DESK
DETAIL

PROJECT NO.
DATE
13/10/2020
SCALE
As Shown
DRAWN BY
MCWL
CHECKED BY
DRAWING NO.
A-04
REV:



0-04 RECEPTION DESK SECTION B
SCALE 1/4" = 1'-0"



0-04 RECEPTION DESK SECTION C
SCALE 1/4" = 1'-0"

Revisions

A	MM/DD/YY	Description

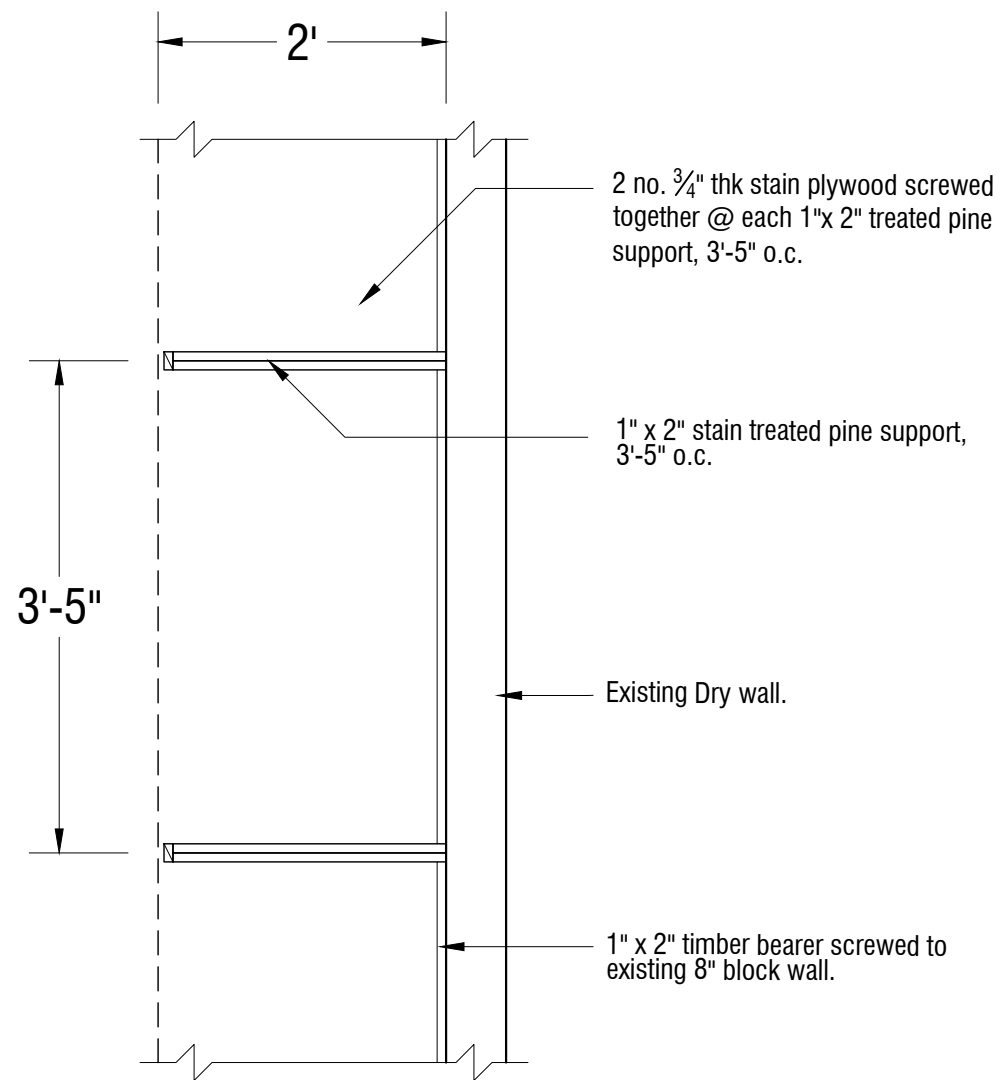
General Notes

1. This drawing is the exclusive property of the The Ministry of Communications & Works for Montserrat and the reproduction in whole or in part is prohibited without prior written consent.
2. The Contractor is to check and verify all levels datum and dimensions and report any discrepancy or omission to the Architect, prior to construction.
3. Drawings are not to be scaled
4. The Architect is not responsible for dimensions of the site plan unless they are taken directly from a registered boundary survey carried out by a Licensed Land Surveyor.
5. This drawing is to be read in conjunction with Structural, Mechanical, Electrical and/or other consultant's documentation that is applicable to the project.

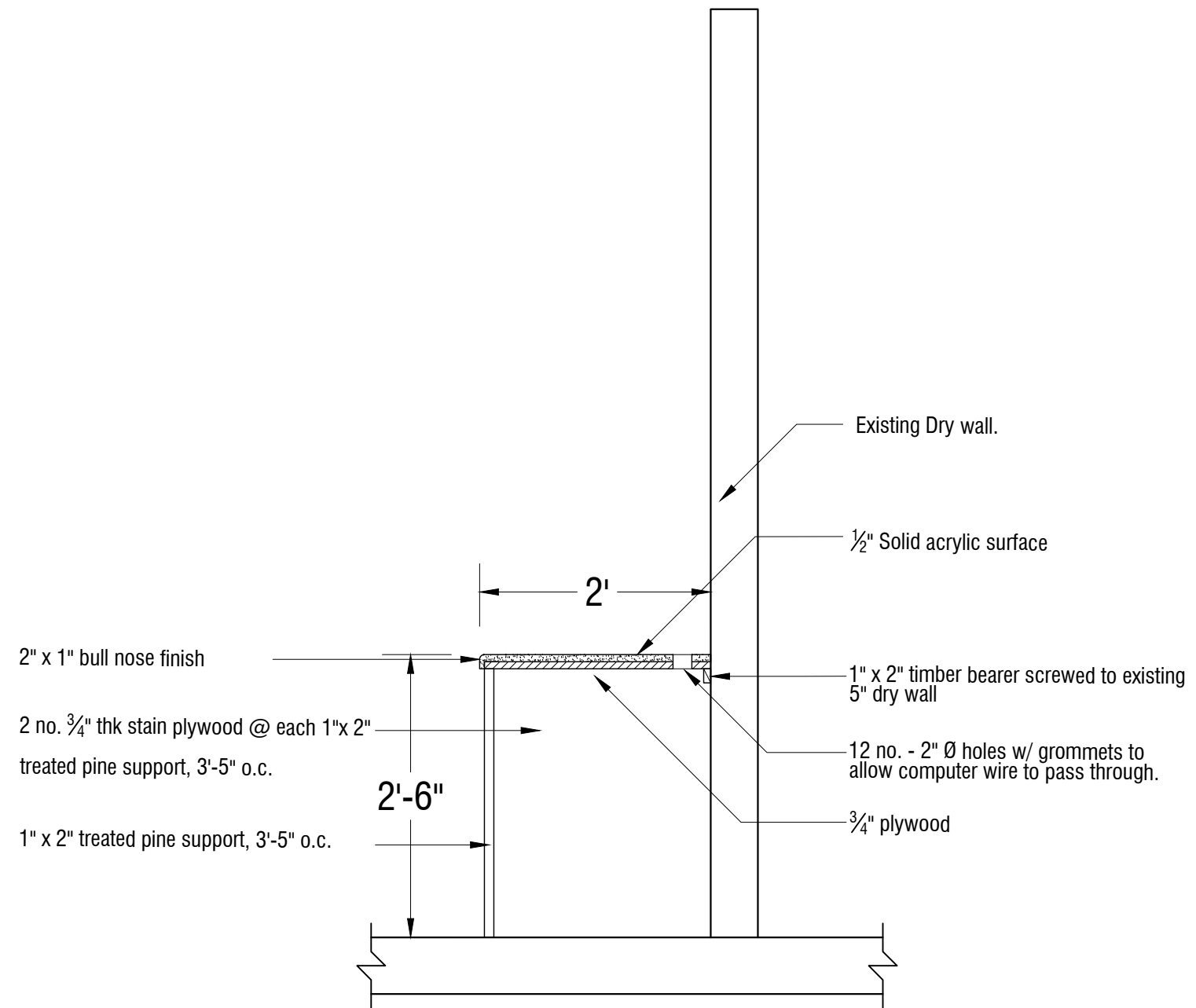
PROJECT
MONTOBACCO ICT
RETROFIT

DRAWING
COMPUTER DESK
DETAIL

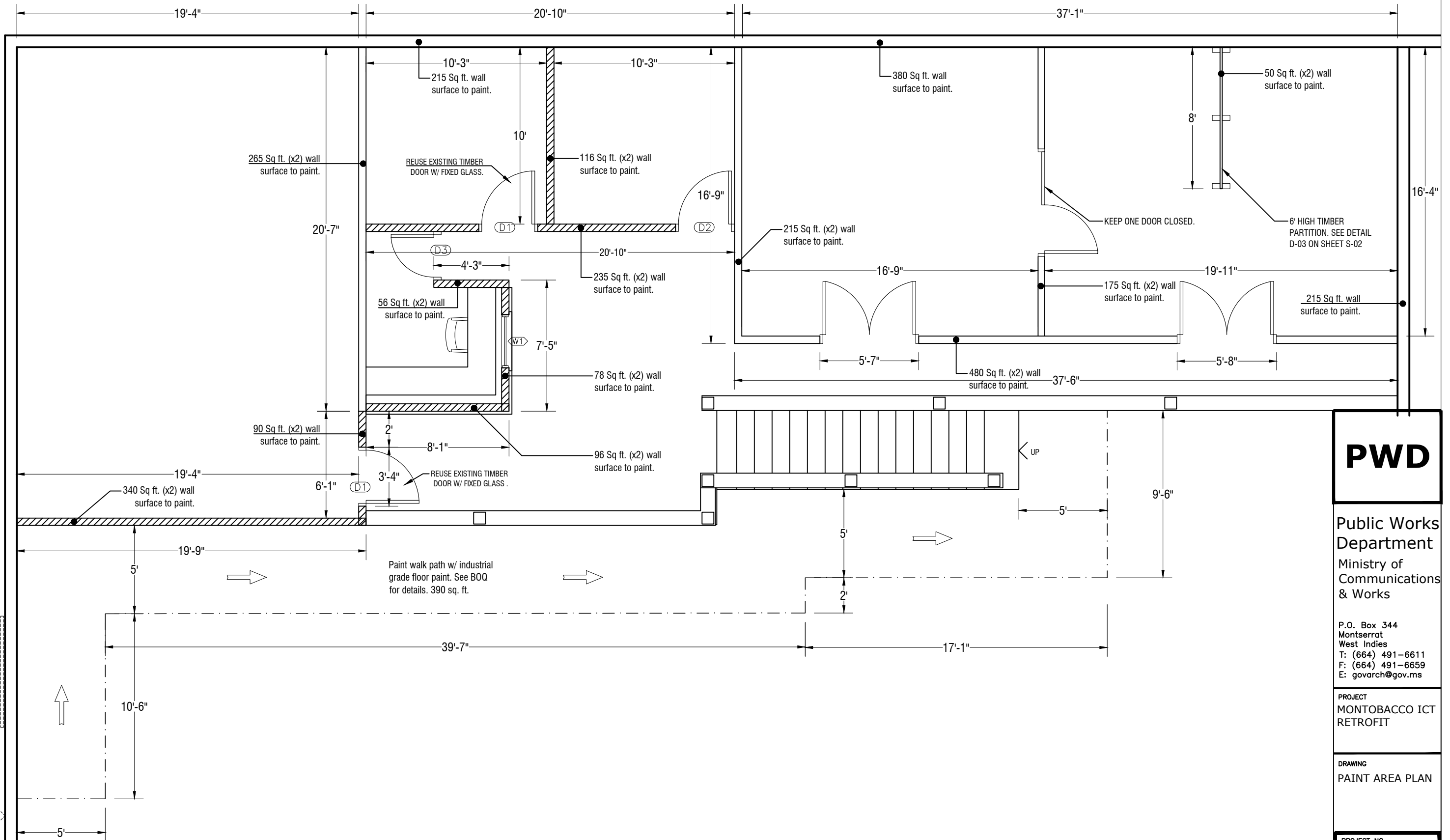
PROJECT NO.	
DATE	13/10/2020
SCALE	As Shown
DRAWN BY	MCWL
CHECKED BY	
DRAWING NO.	A-05
REV:	



D-05 DESK PLAN
SCALE 3/4" = 1'-0"



D-05 DESK DETAIL
SCALE 3/4" = 1'-0"



PWD

Public Works
Department
Ministry of
Communications
& Works

P.O. Box 344
Montserrat
West Indies
T: (664) 491-6611
F: (664) 491-6659
E: govarch@gov.ms

PROJECT
MONTOBACCO ICT
RETROFIT

DRAWING
PAINT AREA PLAN

PROJECT NO.

DATE
13/10/2020

SCALE
As Shown

DRAWN BY
MCWL

CHECKED BY

DRAWING NO.

A-06

REV:

A-01 FIRST FLOOR PAINT AREA PLAN
SCALE: 3/16" = 1'-0"

AREA = 1,860