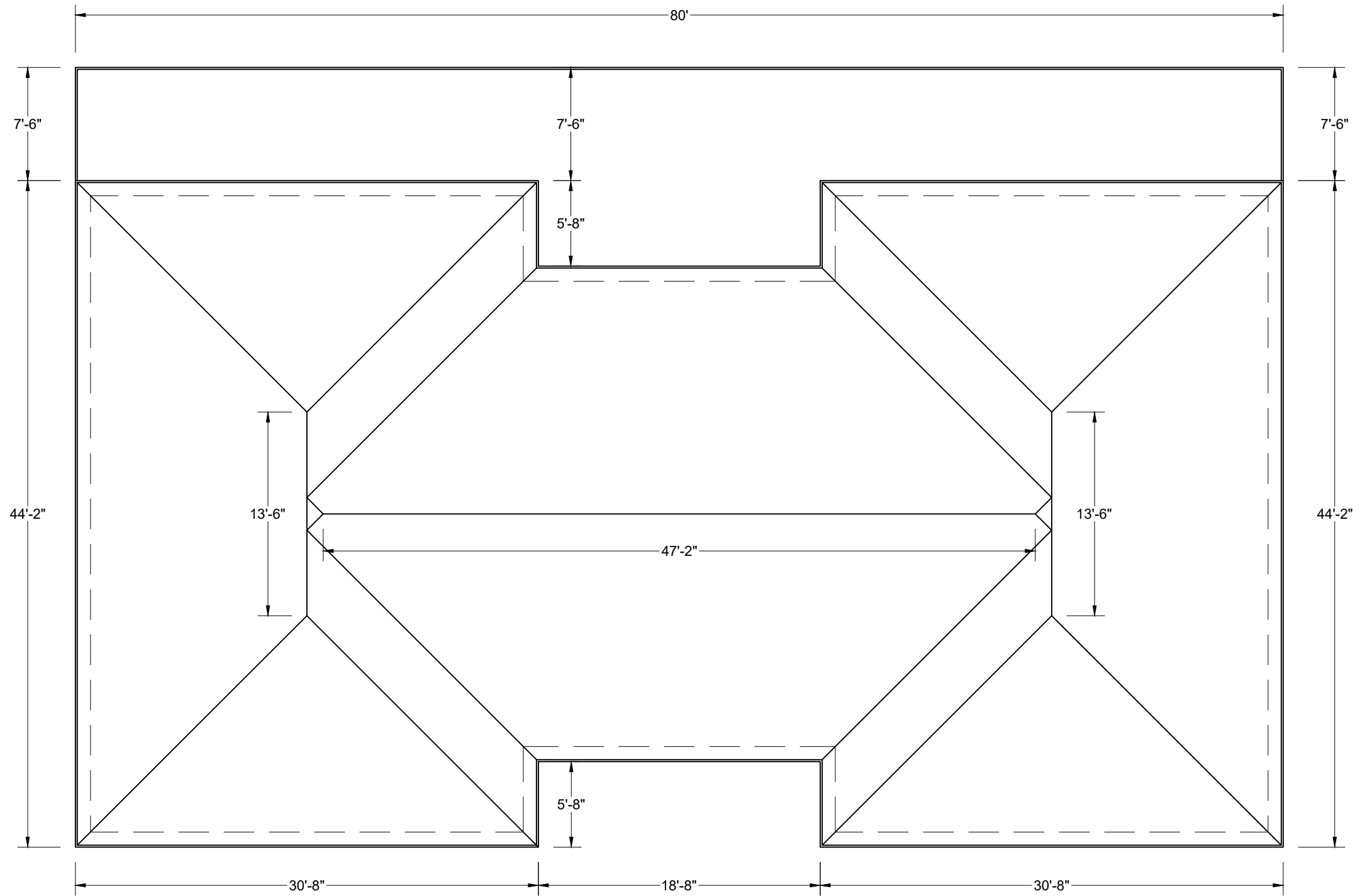

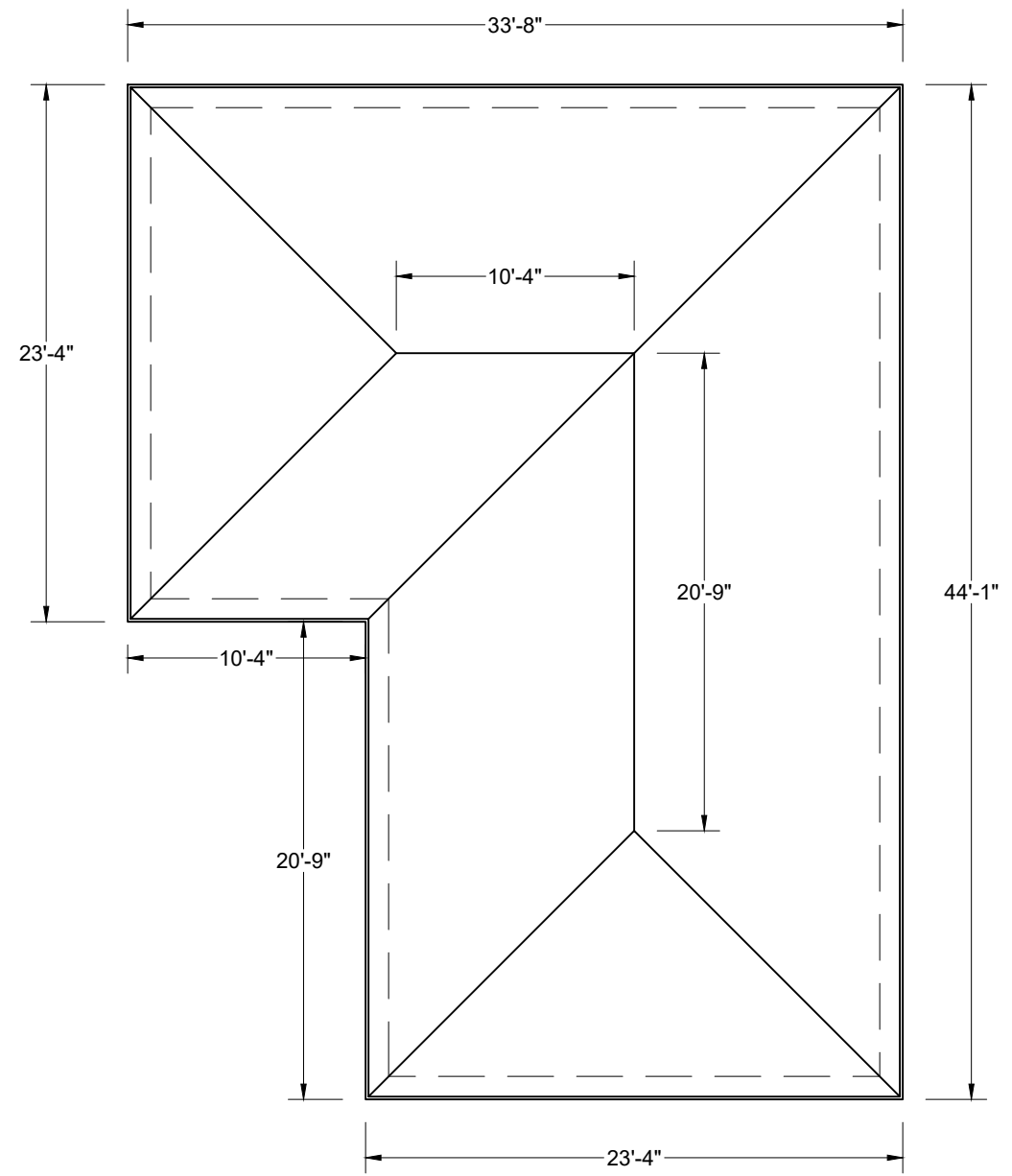

BLOCK A ROOF PLAN
 SCALE 1/8" = 1'-0"


MAIN ROOF SQ. FT. = 3,320
 VERANDA ROOF SQ. FT. = 705




BLOCK B ROOF PLAN
 SCALE 1/8" = 1'-0"

MAIN ROOF SQ. FT. = 3,320
 VERANDA ROOF SQ. FT. = 705




BLOCK C ROOF PLAN
 SCALE 1/8" = 1'-0"

MAIN ROOF SQ. FT. = 1,270