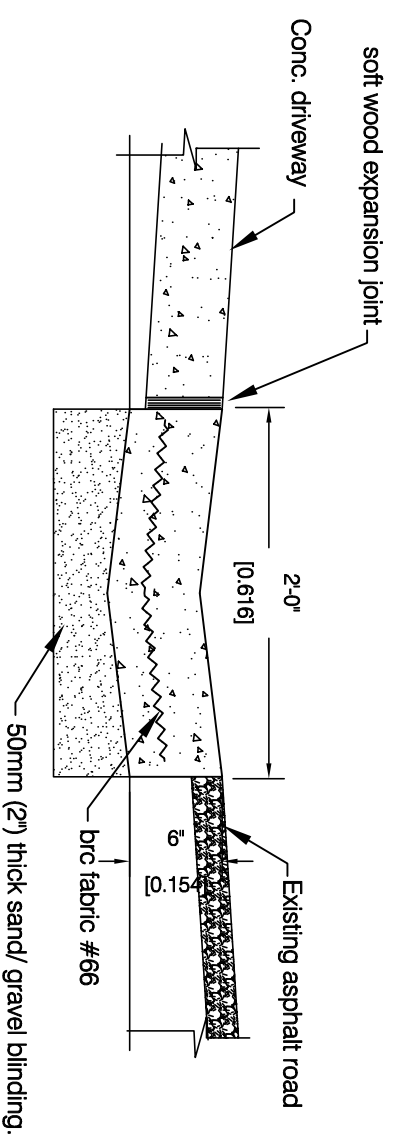
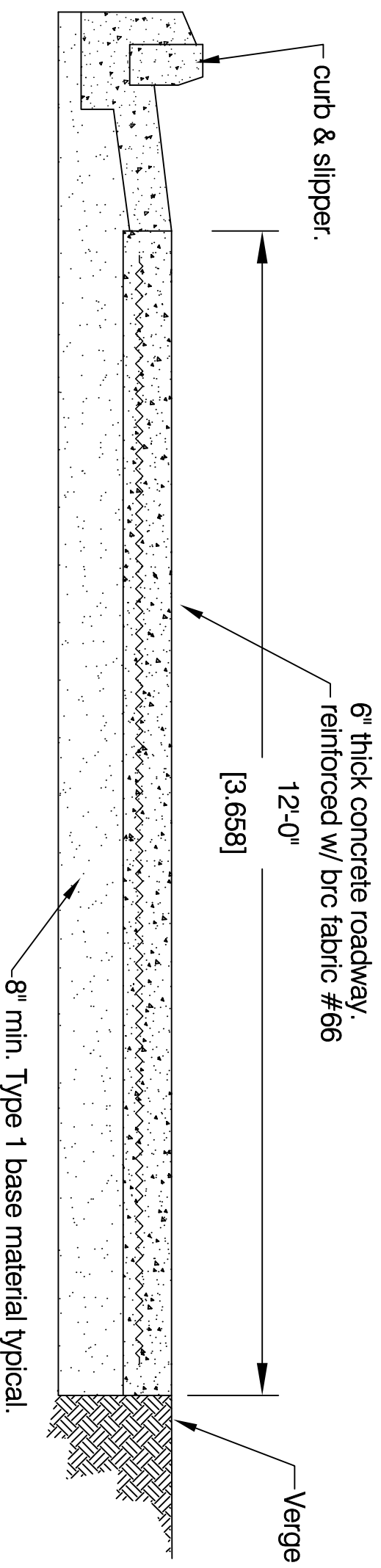


Typical Curb & Slipper Detail
Scale 1" = 1'-0"

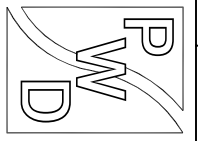


Irish Drain Detail (#1)
Scale 1" = 1'-0"



Concrete Roadway Cross Section
Scale nts

No.	Revision / Issue	By	Chk	Da



Public Works Department
P.O. Box 344
Montserrat
West Indies
Tel: 664-491-2521/2
Fax: 664-491-3475
Email: gov.eng@candw.m

PROJECT: **DRUMMONDS**
TITLE: DRAIN DETAIL/LAYOUT
DESIGN: PWD JOB #: 0
DRAWN: OREENU
CHECKED: PWD

FILE PATH: H:\Arch\Eng
DATE: 25/06/2021 SHEET NO.: **02**
SCALE: NTS