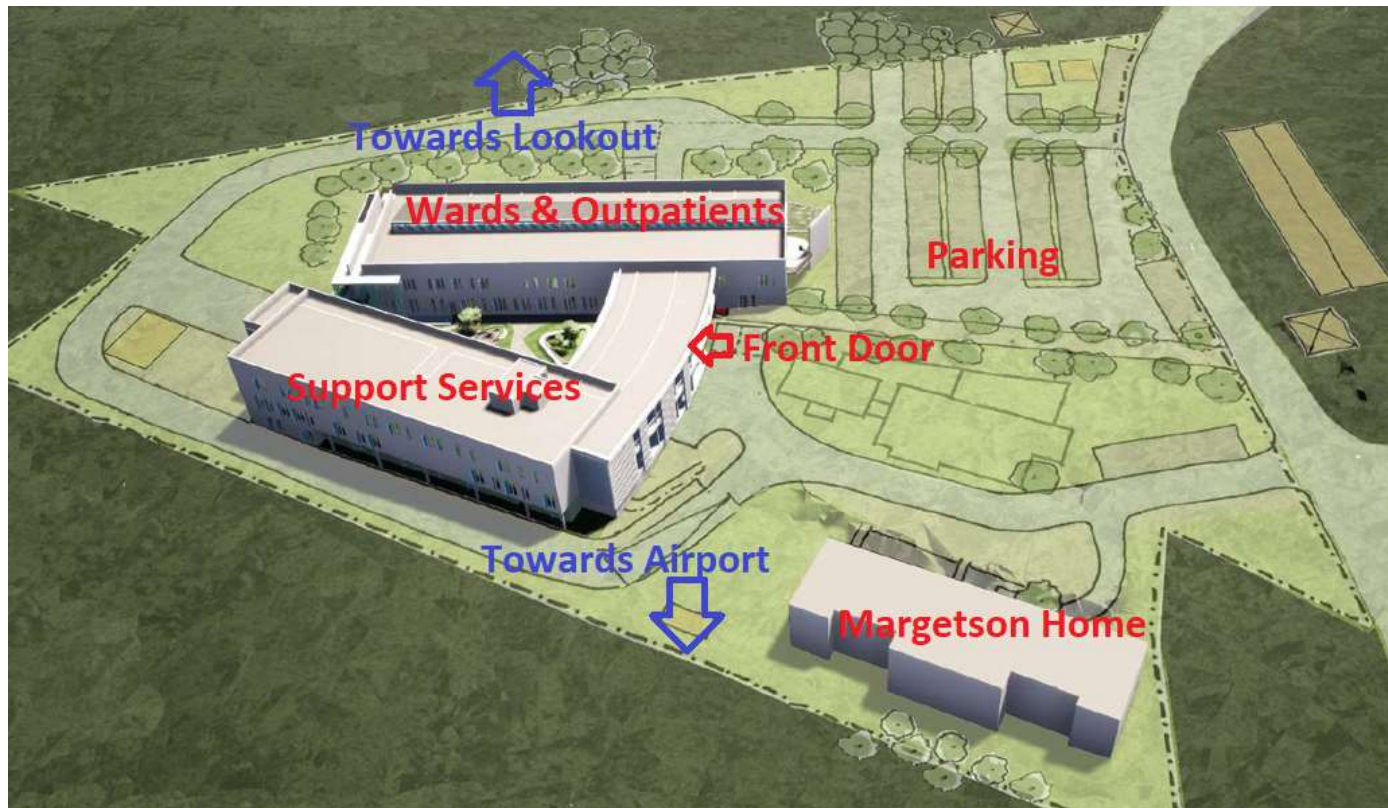


# Montserrat New National Hospital (to be developed on existing hospital site)

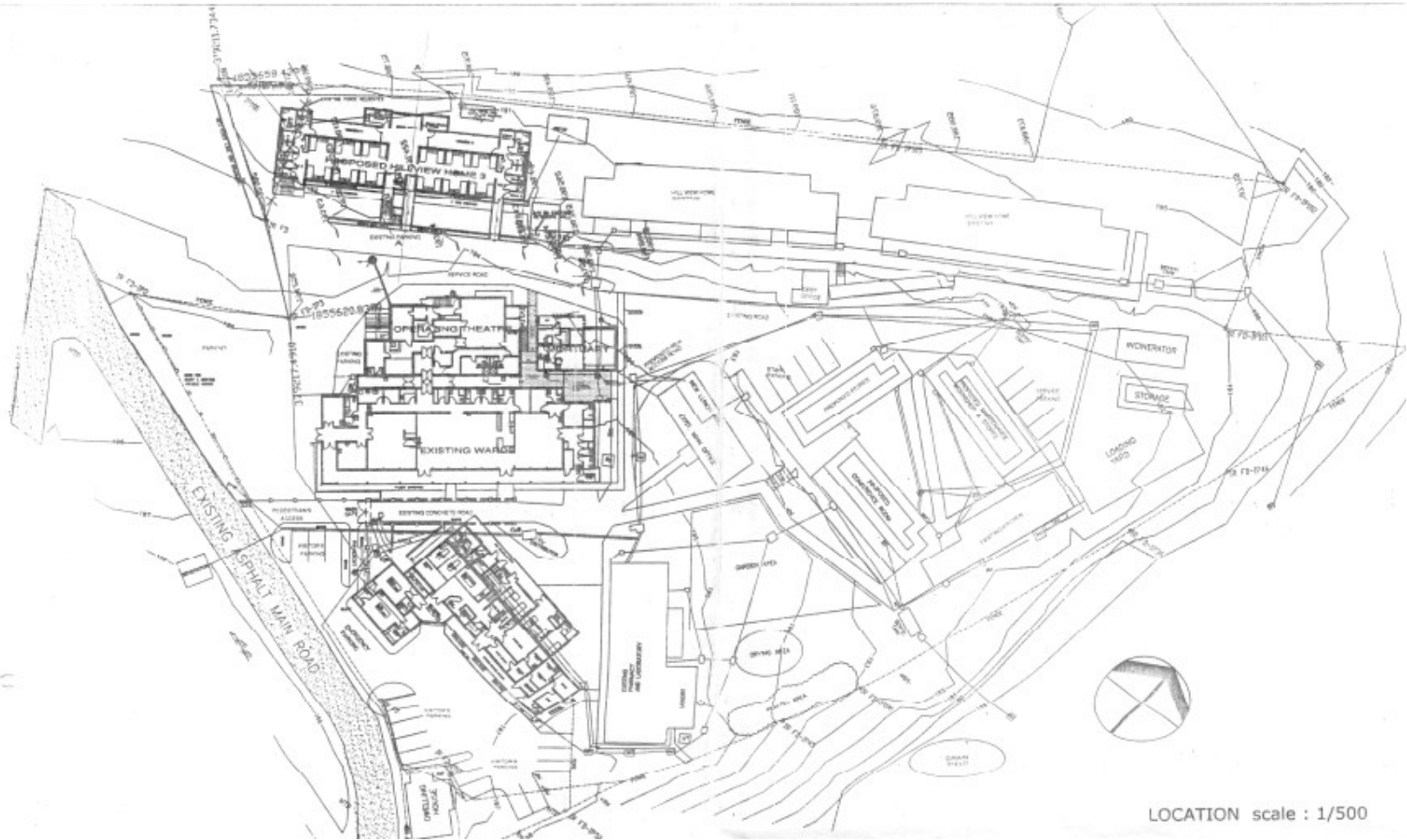


November 2022

# New National Hospital Concept Design



# Existing Hospital Site Plan



LOCATION scale : 1/500

# Proposed New Hospital Site Plan



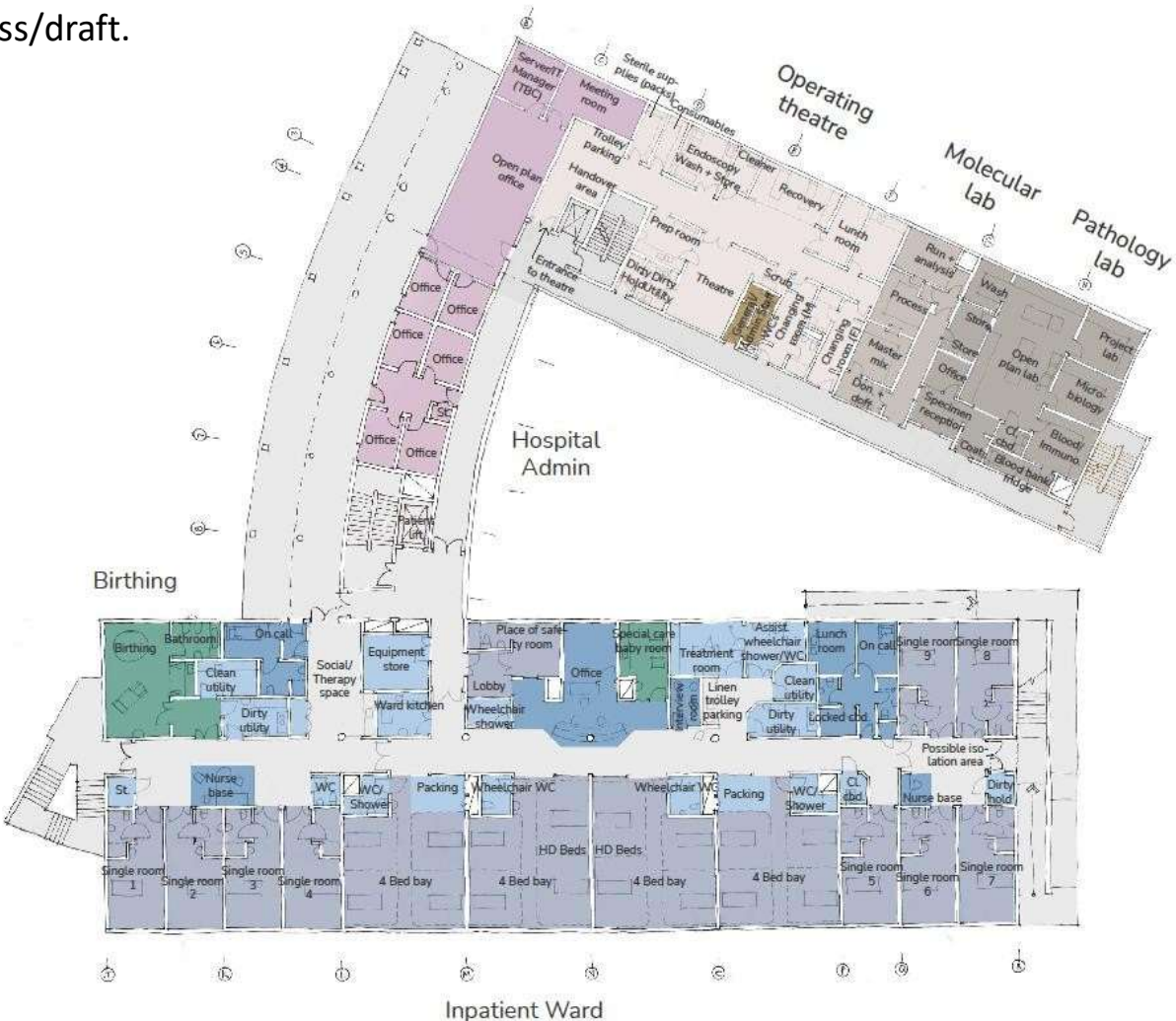
# Ground Floor Plan

NB: Design 'work in progress/draft.  
Subject to change'



# First Floor Plan

NB: Design 'work in progress/draft'.  
Subject to change'



First Floor

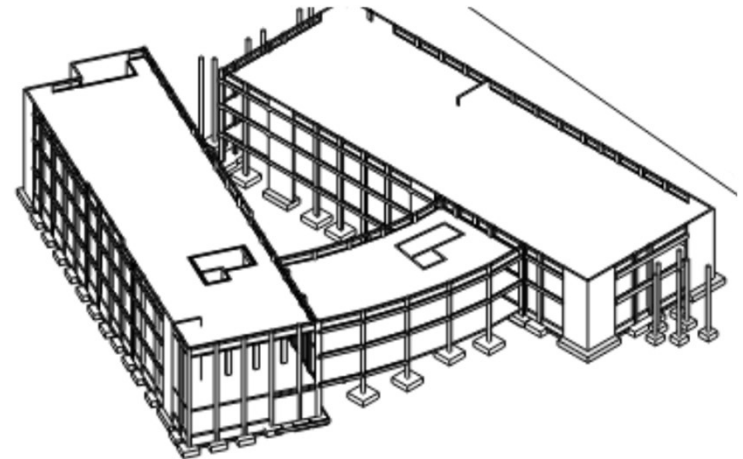
# Lower Ground Floor Plan

NB: Design 'work in progress/draft.  
Subject to change'



## Structural and Civils Strategy:

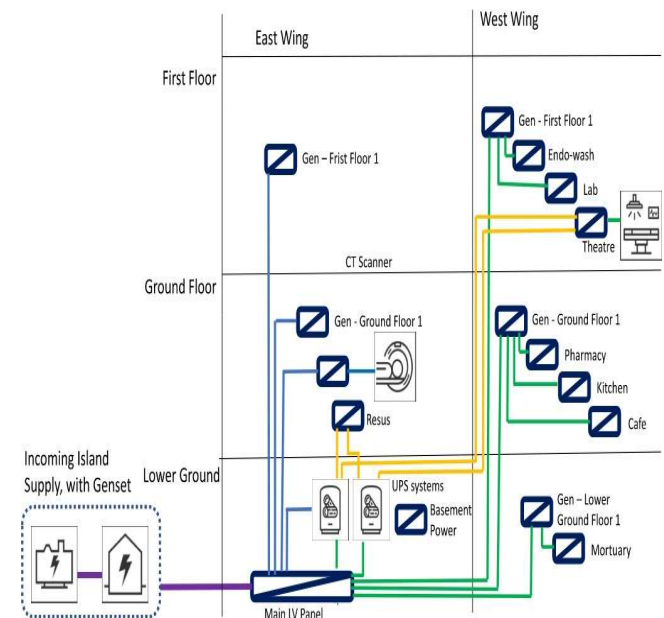
- Geotechnical reviewed and OK
- Traditional pad/ strip foundations
- Concrete frame, stairs, lift shafts and roof
- Layouts follow the natural site levels forming a lower ground floor on West Block and a services undercroft plant room on East
- All seismic safe and designed for ashfall
- Foul & Surface to be separated
- New waste treatment to be installed and continued use of existing leech field





# Electrical

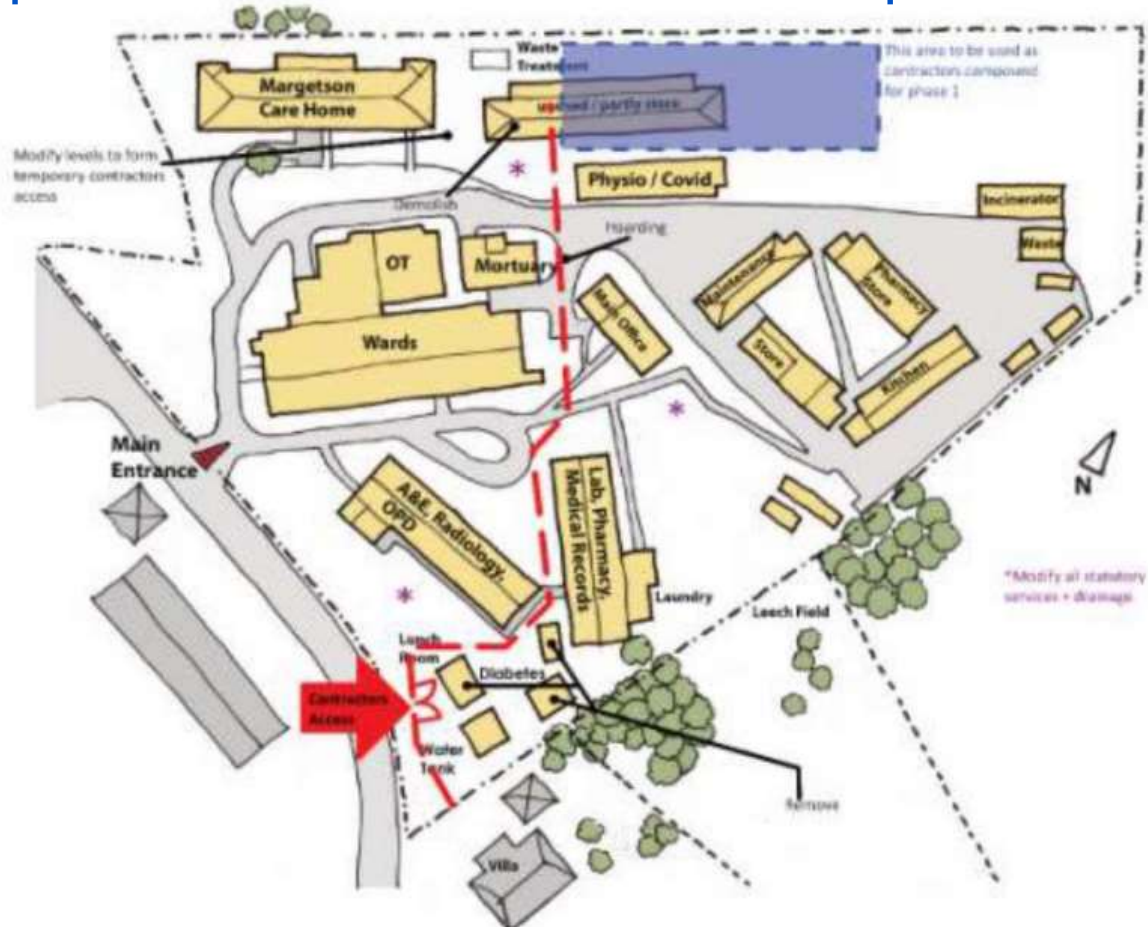
- High level Electrical services evaluated and strategies agreed
- Local sub-station (DMCA) to be upgraded
- New incoming electrical switch room
- Fibre optic (comms) to be relocated
- Confirmed use of dual power 220 & 110v
- Step down transformers to be utilized
- Transformer strategy developed
- Full fire alarm system required, nurse call system to required areas, access control system to be provided.



## Mechanical

- Existing site main water connection to be retained
- Minimum 3 days of stored water with new tank and booster
- Centralised hot water system with solar thermal with electric immersion top-up
- Specialist water (RO and softened) will be local
- New manifolds for O<sub>2</sub> and N<sub>2</sub>O. Passive anaesthetic gas scavenging system
- General ventilation strategy to include a combination of centralised air-conditioning units and local split unit air conditioning. Natural ventilation will be available as back-up.

Demolish all buildings behind new hoarding wall in order to prepare for construction of new hospital building



# Outline Programme – October 2022

		2023					2024				2025			
		Q4	Q1	Q2	Q3	Q4	Q1	Q2	Q3	Q4	Q1	Q2	Q3	Q4
<b>SITE PREPARATION</b>		■	■	■	■									
<b>ENABLING WORKS</b>														
APPOINTMENT		■												
DESIGN			■	■	■									
TENDER				■										
CONSTRUCTION				■	■	■	■	■	■					
DECANT									■					
<b>MAIN CONTRACT</b>														
DESIGN		■	■	■	■	■								
TENDER						■	■							
CONSTRUCTION							■	■	■	■	■	■	■	■
COMMISSIONING														■
<b>NEW HOSPITAL OPEN</b>														◆

